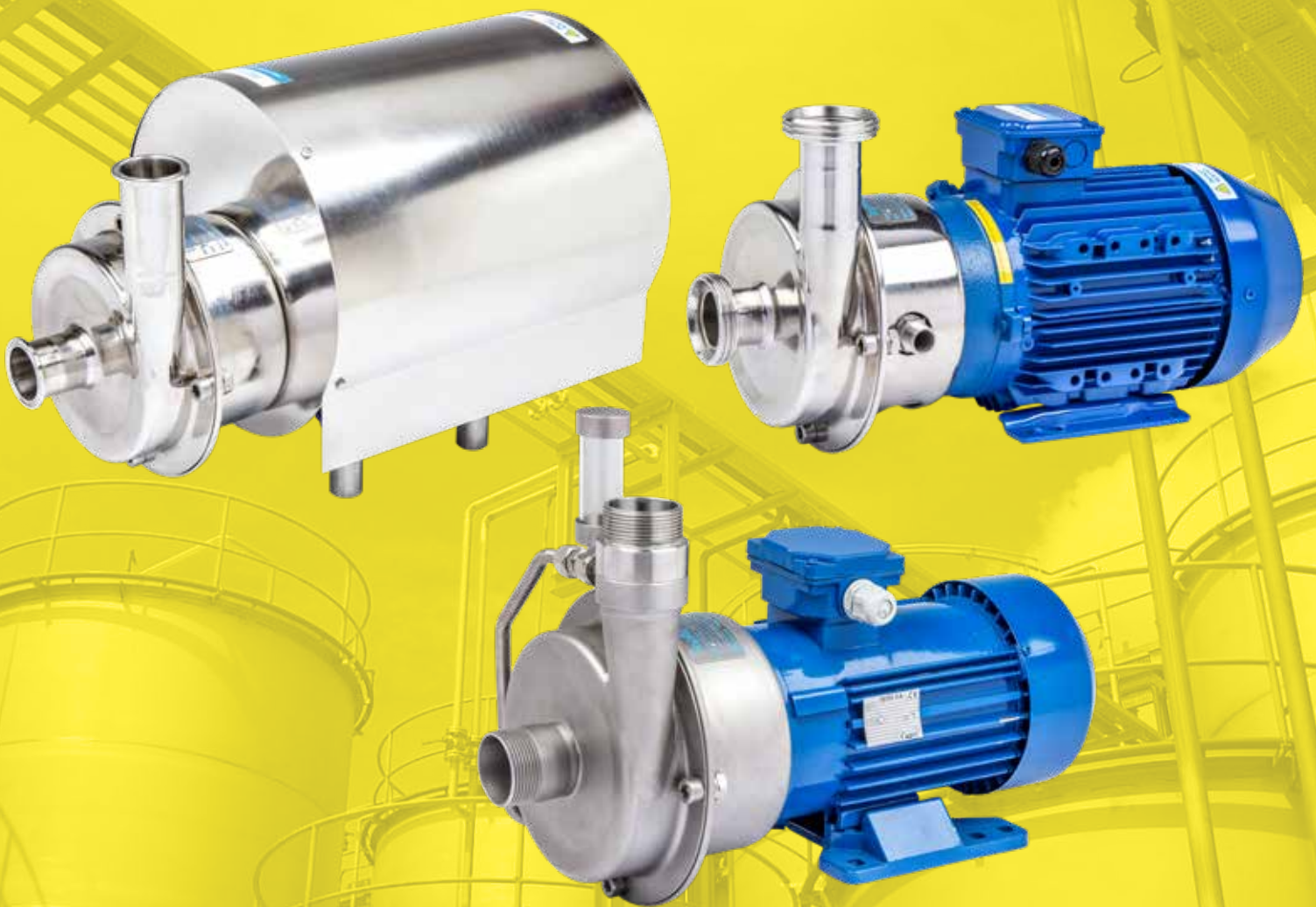


tapflo®

CTI & CTH CENTRIFUGAL PUMPS

2020 | 2



» All about your flow™

www.tapflo.com

» All about your flow™

We began our journey 40 years ago in Kungälv, a small town on the Swedish west coast, as a family company with an ambition to one day become a global player on the pump market.

Since 1980, we have taken pride in delivering a wealth of knowledge and passion for pumps to the industry, whilst supplying a wide range of premium products for various industrial applications.

Over the years, the company has developed into a global Tapflo Group with branches and distributors present in nearly every region of the world.

One thing did not change - we are still a family company.

Our solutions are designed and manufactured in Europe and distributed globally to offer the best service and flow solutions to our customers for a variety of applications.

Our values, Commitment, Quality and Simplicity are reflected both in our product and business approach.



For fast and flexible service and high-quality products readily available worldwide, choose Tapflo.

Quality commitment

At Tapflo we are simply committed to quality. As a result, our production standards, as well as products quality, comply with various globally recognised certification and quality control standards. The Tapflo manufacturing process is certified according to ISO 9001:2015, confirming that our processes are appropriate, effective, customer-focused and continuously improved.



Tapflo values

Our culture is concluded in Our values

Commitment

We are different from our competitors because of our willingness to exceed the customers' expectations, move fast and be flexible. Our culture is based on the spirit of togetherness, enthusiasm and integrity. We come from all over the world but we share the same values and we respect each other. We are committed.

Quality

We understand that the quality in our work is never better than the weakest link, that's why we focus on every small detail. We share a common passion for continuously finding more efficient and effective ways to provide value to our customers. As a manufacturer we have control of the complete process both in terms of our products and the way we operate internally. That is why we manufacture the highest quality pumps in our segment.

Simplicity

We have a saying, "Simple is art" which means we try to find smooth and uncomplicated solutions in everything. By keeping it simple we can focus on the essential, like designing uncomplicated pumps with few components. For us it is a key to success; strive to simplify what is complex.

CT Centrifugal Pumps

The CT pumps are open or semi open impeller single stage centrifugal pumps. They are manufactured in high finish and mechanically strong material - AISI 316L stainless steel. The pump range meets the demands from a variety of today's industries. Having said that, CT is still available at a very appealing price level.

Features & Benefits

- ✓ Simple and compact design
- ✓ Few parts
- ✓ Open impeller
- ✓ High grade materials
- ✓ High capacity
- ✓ Competitive price
- ✓ Low maintenance cost
- ✓ Multiple options
- ✓ Solids handling
- ✓ Wide range of applications

Wide range of applications



Food & beverage (CTH)

Transfer of various ingredients and products like edible oil, flavor, alcohol, dairy products and juice. With heating jacket version there are further possibilities like pumping margarine and chocolate. There are also many auxiliary applications like transfer of cleaning liquids and water.



Chemical & pharma (CTI & CTH)

Transport of chemicals from storage tanks, containers and baths, for example in degreasing. Handling of waste products.

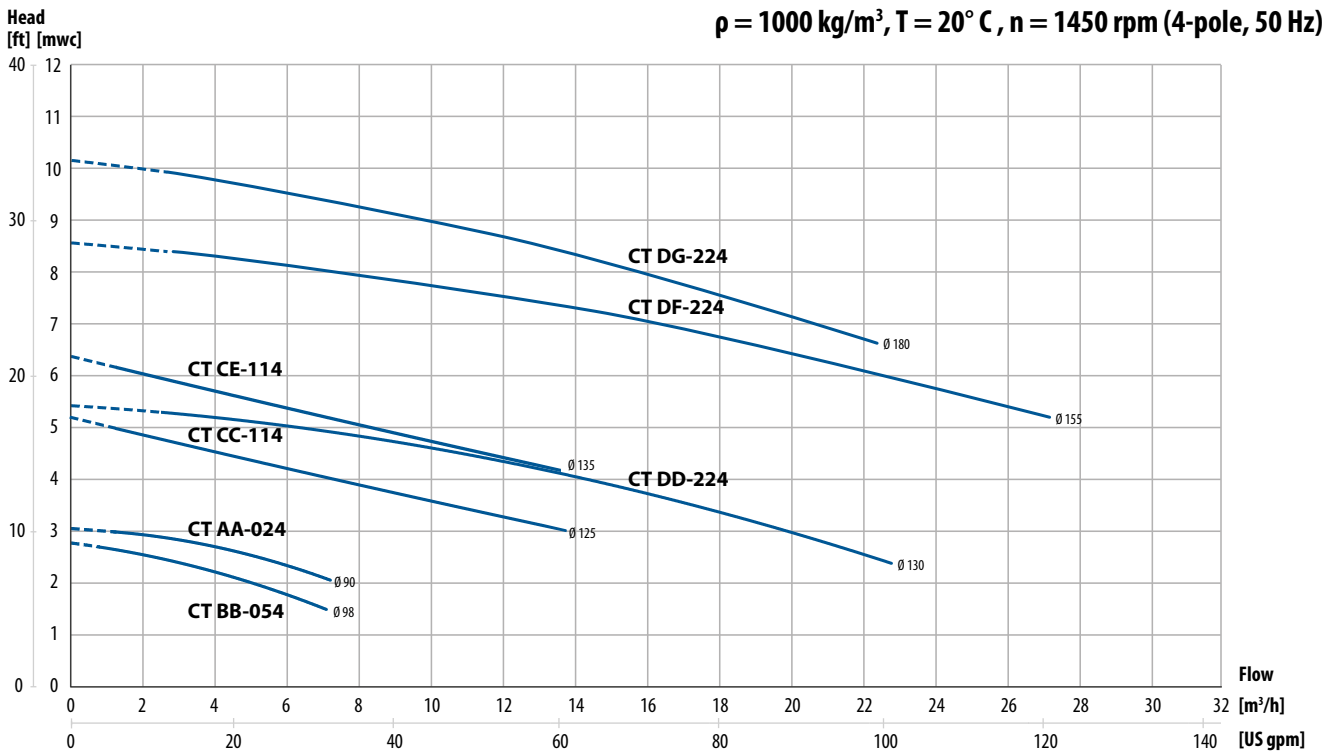
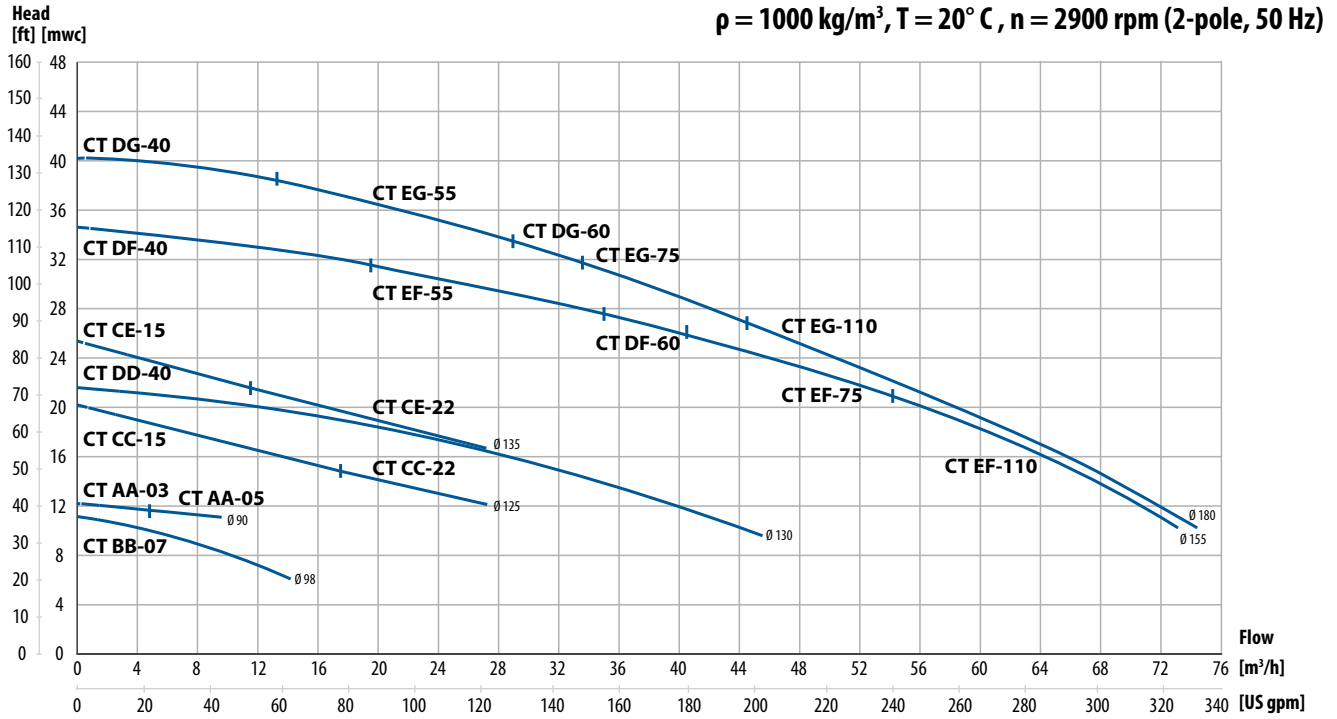


Water treatment (CTI)

Pumping samples, dosing acids and alkalis for pH-control. Transfer of flocculent, suspensions, chemical reagents and sludges. Pumps are resistant to even most aggressive chemicals.

Performance curves

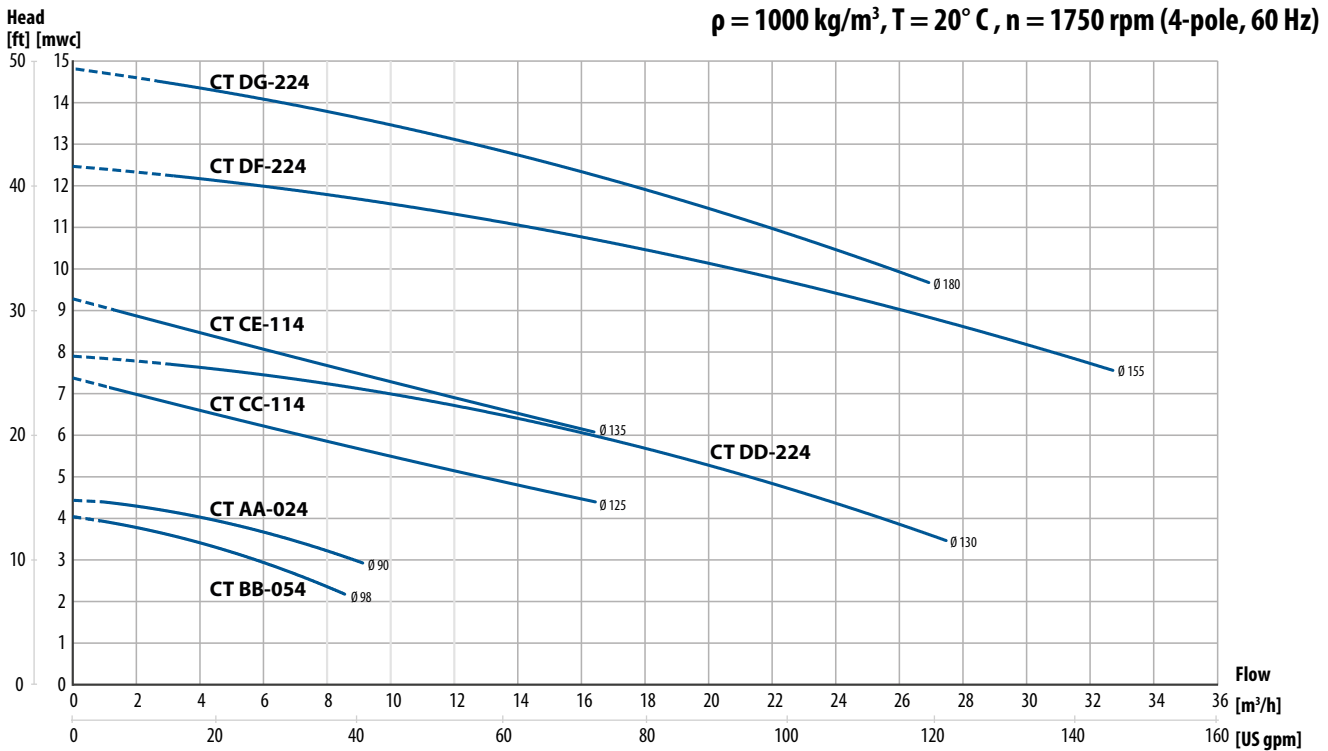
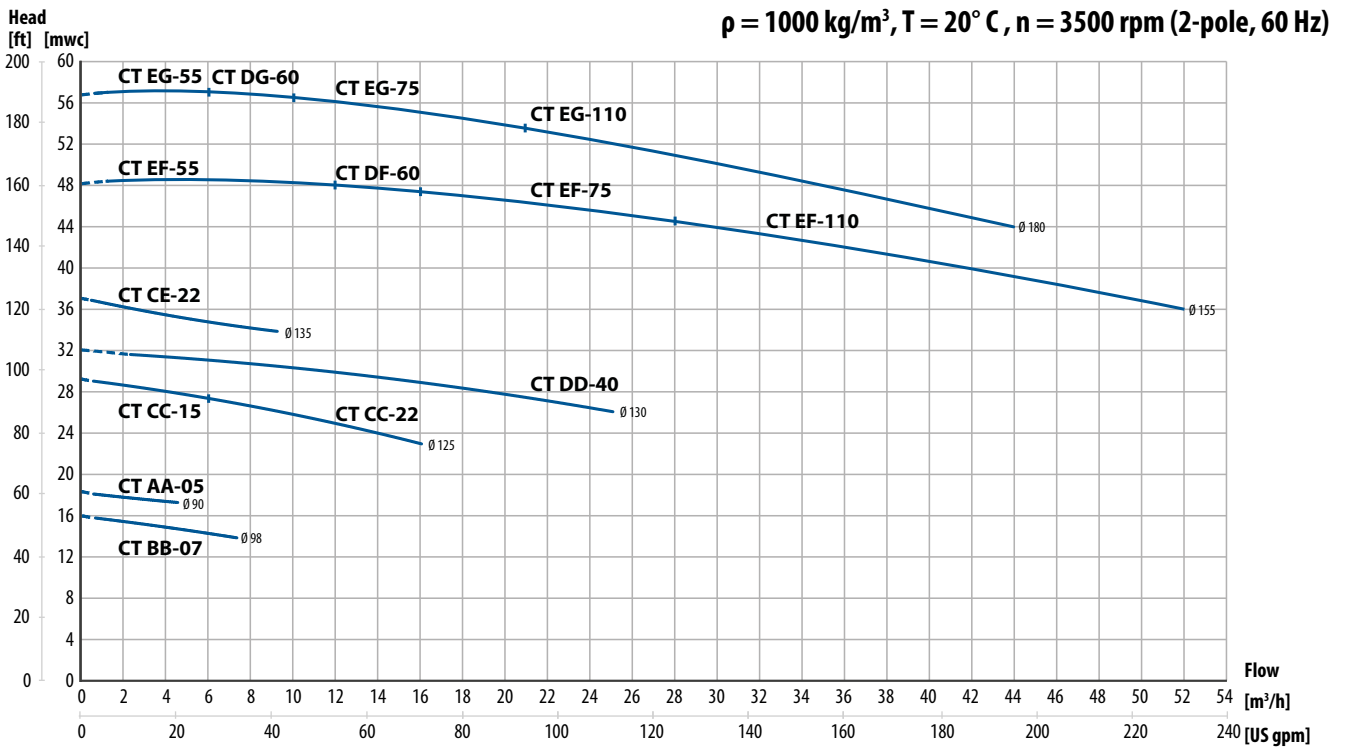
The performance curves are based on water.



Changes reserved without notice

Performance curves

The performance curves are based on water.



Changes reserved without notice

CTI - industrial series

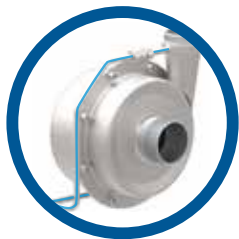
The industrial series CTI is designed with glass blasted pump casing. A variety of connection types, mechanical seal options and other executions are available to satisfy most industrial duties.

A very simple and ingenious design, with only 17 different components allows easy and quick maintenance.
 This results in very short downtime and extremely low maintenance costs.



CTI series :
 For industrial applications
 Glass-blasted pump casing

Options and special executions



■ Flushed seal

Ideal **when abrasive or sticky particles are present**. System where a small amount of the pumped product is recirculated from the discharge side to the seal chamber through a strainer, will protect the mechanical seal and seal chamber from excessive wear.



■ Buffer fluid system

A great option **when the product tends to solidify or crystalize**.

A lube reservoir is connected to the air side of the mechanical seal.



■ Long coupled execution

The perfect solution **when pumping hot products** like oil at temperatures **up to 180°C**. Complete pump unit **mounted on baseplate, with coupling and cover**.



■ Casing drainage

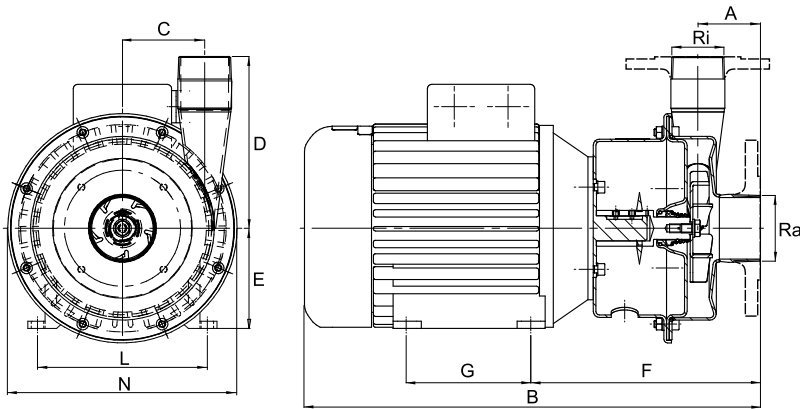
Plug at the bottom of the pump casing **allows draining**.



■ Flanged connections

Instead of the standard BSPT threaded connections, you can order CTI pumps with flanged connections according to **DIN (2633) or ANSI 150**.

CTI - technical data



Connection dimensions

Model	BSPT male thread (standard)*		DIN 2633/ PN16 flange		ANSI 150 flange	
	Ra	Ri	Ra	Ri	Ra	Ri
CTI A..	1"	3/4"	25	20	1"	3/4"
CTI B..	1 1/2"	1"	40	25	1 1/2"	1"
CTI C..	1 1/2"	1 1/2"	40	40	1 1/2"	1 1/2"
CTI D..	2 1/2"	2"	65	50	2 1/2"	2"
CTI E..	2 1/2"	2"	65	50	2 1/2"	2"

* = NPT thread available as option

General dimensions

Model	Motor power (kW)	IEC motor size	A	B**	C	D	E	F	G	L	N
CTI AA-03	0.37	71	60	358	36	100	71	193	90	112	145
CTI AA-05	0.55	71	60	358	36	100	71	193	90	112	145
CTI BB-07	0.75	80	63	395	50	110	80	205	100	125	170
CTI CC-15	1.5	90	64	451	68	160	90	226	125	140	205
CTI CC-22	2.2	90	64	451	68	160	90	226	125	140	205
CTI CE-22	2.2	90	64	451	68	160	90	226	125	140	205
CTI DD-40	4.0	112	70	510	92	192	112	257	140	190	256
CTI DF-40	4.0	112	70	510	92	192	112	257	140	190	256
CTI DF-60***	6.0	112	70	521	92	192	112	262	140	190	256
CTI DG-60***	6.0	112	70	521	92	192	112	262	140	190	256
CTI EF-55	5.5	132	70	587	92	192	132	304	140	216	256
CTI EG-55	5.5	132	70	587	92	192	132	304	140	216	256
CTI EF-75	7.5	132	70	587	92	192	132	304	140	216	256
CTI EG-75	7.5	132	70	587	92	192	132	304	140	216	256
CTI AA-024	0.25	71	60	358	36	100	71	193	90	112	145
CTI BB-054	0.55	80	63	395	50	110	80	205	100	125	170
CTI CC-114	1.1	90	64	451	68	160	90	226	125	140	205
CTI CE-114	1.1	90	64	451	68	160	90	226	125	140	205
CTI DD-224	2.2	100	70	478	92	192	100	250	140	160	256
CTI DF-224	2.2	100	70	478	92	192	100	250	140	160	256
CTI DG-224	2.2	100	70	478	92	192	100	250	140	160	256

** = This dimension may vary depending on motor brand

*** = Special motor with increased power. Not available in EX-proof (ATEX) version

Materials, data and limits

Casing	Glass blasted AISI 316L stainless steel
Impeller	Electro polished AISI 316L stainless steel, open (standard) or optional semi-open type
Mechanical seal	Single ceramic/graphite (standard), SiC/SiC or SiC/graphite, optionally with buffer fluid system or flushing
O-rings	EPDM (standard), FKM, FEP/silicone or NBR
Motor	P55, IEC frame B3/B14 (B3 on long coupled version). Available with ATEX cat 2 or 3, Ex e or Ex d motor
Max pressure	10 bar (PN10)
Temperature	max 90°C, max 180°C for long coupled version
Viscosity	max ~200 cSt
Particles	max diameter 6 mm (with standard open impeller), bigger if soft particles

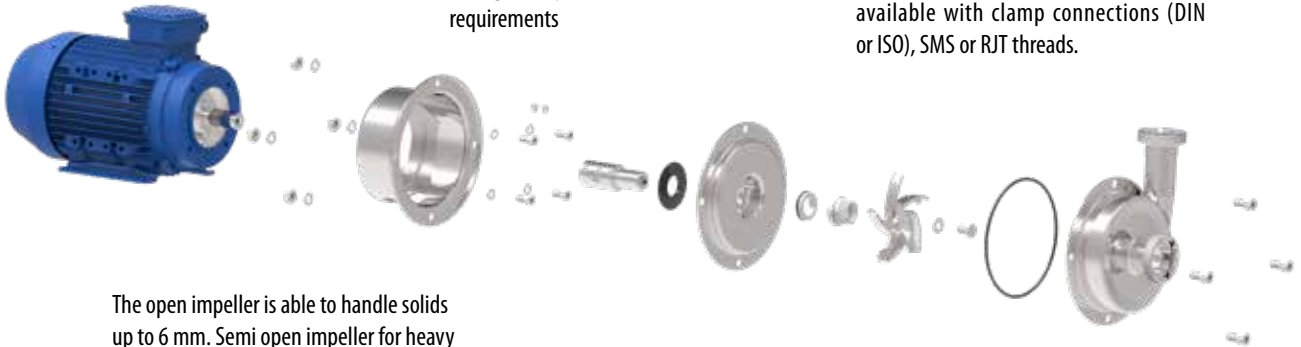
Changes reserved without notice

CTH - hygienic series

The hygienic series CTH is supplied with electro polished pump casing and internals. This series is dedicated for hygienic duties in food, beverage and pharmaceutical industries, where clean and drain-ability are important factors.

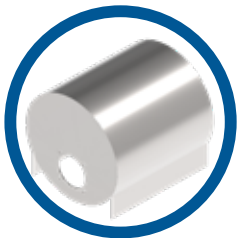
Standard single mechanical seal provides a wide range of seal face materials - ceramic, graphite, SiC and EPDM, FKM, NBR, FEP O-rings compliant with FDA and EC1935 requirements

Hygienic connections DIN 11851 (thread) are standard on the CTH series. It is also available with clamp connections (DIN or ISO), SMS or RJT threads.



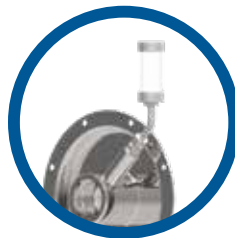
The open impeller is able to handle solids up to 6 mm. Semi open impeller for heavy duty applications is available as an option.

Options and special executions



■ Hygienic shroud

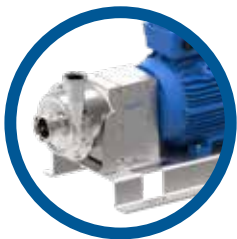
The hygienic motor shroud in polished AISI 316L **protects the motor from spraying water during pump cleaning procedure.**



■ Buffer fluid system

A great option **when the product tends to solidify or crystalize.**

A lube reservoir is connected to the air side of the mechanical seal.



■ Long coupled execution

The perfect solution **when pumping hot products** like edible oil. Complete pump unit **mounted on baseplate, with coupling and cover.**



■ Casing drainage

Plug at the bottom of the pump casing **allows draining** of the pumped liquid.

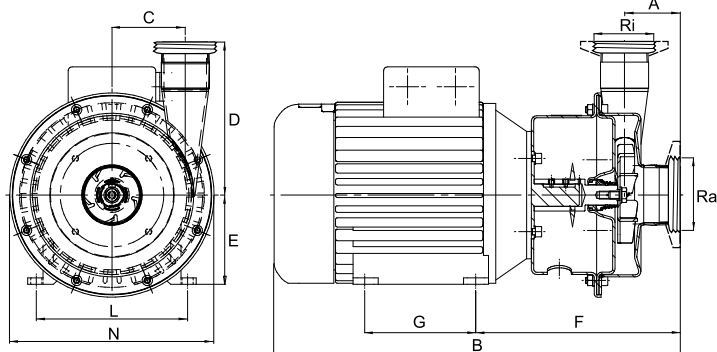


■ Heating jacket

Great **protection for the mechanical seal** in cases where there is a **risk for solidifying of the product.**

The heating jacket is also **used when the pumped product has to maintain a specific temperature**, high or low. A heating or cooling medium is continuously circulated in the jacket.

CTH - technical data



Connection dimensions

Connection type	Dim	Model CTH				
		A..	B..	C..	D..	E..
DIN 11851 thread (standard)	Ra	25	40	40	65	65
	Ri	25	32	40	50	50
DIN 32676 clamp	Ra	25	40	40	65	65
	Ri	20	25	40	50	50
SMS 3017 clamp	Ra	38	38	38	70	70
	Ri	25	25	38	51	51
SMS 1145 thread	Ra	38	51	51	63	63
	Ri	25	38	38	51	51
RJT thread	Ra	1 1/2"	1 1/2"	2"	3"	3"
	Ri	1"	1 1/2"	2"	2"	2"

General dimensions

Model	Motor power (kW)	IEC motor size	A	B**	C	D	E	F	G	L	N
CTH AA-03	0.37	71	60	358	36	100	71	193	90	112	145
CTH AA-05	0.55	71	60	358	36	100	71	193	90	112	145
CTH BB-07	0.75	80	63	395	50	110	80	205	100	125	170
CTH CC-15	1.5	90	64	451	68	160	90	226	125	140	205
CTH CC-22	2.2	90	64	451	68	160	90	226	125	140	205
CTH CE-22	2.2	90	64	451	68	160	90	226	125	140	205
CTH DD-40	4.0	112	70	510	92	192	112	257	140	190	256
CTH DF-40	4.0	112	70	510	92	192	112	257	140	190	256
CTH DF-60***	6.0	112	70	521	92	192	112	262	140	190	256
CTH DG-60***	6.0	112	70	521	92	192	112	262	140	190	256
CTH EF-55	5.5	132	70	587	92	192	132	304	140	216	256
CTH EG-55	5.5	132	70	587	92	192	132	304	140	216	256
CTH EF-75	7.5	132	70	587	92	192	132	304	140	216	256
CTH EG-75	7.5	132	70	587	92	192	132	304	140	216	256
CTH AA-024	0.25	71	60	358	36	100	71	193	90	112	145
CTH BB-054	0.55	80	63	395	50	110	80	205	100	125	170
CTH CC-114	1.1	90	64	451	68	160	90	226	125	140	205
CTH CE-114	1.1	90	64	451	68	160	90	226	125	140	205
CTH DD-224	2.2	100	70	478	92	192	100	250	140	160	256
CTH DF-224	2.2	100	70	478	92	192	100	250	140	160	256
CTH DG-224	2.2	100	70	478	92	192	100	250	140	160	256

** = This dimension may vary depending on motor brand

*** = Special motor with increased power. Not available in EX-proof (ATEX) version

Materials, data and limits

Casing	Electro polished Ra <0.8 AISI 316L stainless steel
Impeller	Electro polished Ra <0.8 AISI 316L stainless steel, open (standard) or optional semi-open type
Mechanical seal	Single ceramic/graphite (standard), SiC/SiC or SiC/graphite, optionally with buffer fluid system or flushing
O-rings	EPDM, FKM, NBR, FEP compliant with FDA and EC1935 requirements
Motor	IP55, IEC frame B3/B14 (B3 on long coupled version). Available with ATEX cat 2 or 3, Ex e or Ex d motor
Max pressure	10 bar (PN10)
Temperature	max 90°C, max 180°C for long coupled version
Viscosity	max ~200 cSt
Particles	max diameter 6 mm (with standard open impeller), bigger if soft particles

Changes reserved without notice

Ordering a CT pump

CTI and CTH series are available in standard versions from stock as well as special executions to suit any requirements. When ordering, please follow below example.

CT Pump code

I.	II.	III.	IV.	V.	VI.	VII.
CT	I	C	C	- 1CGV3F-	03	M

I. CT = Tapflo centrifugal pump

II. Pump execution:
 I = Industrial
 H = Hygienic

III. Casing size (motor flange diameter / IEC size):
 A = 105 mm / 71
 B = 120 mm / 80
 C = 140 mm / 90
 D = 160 mm / 100 or 112
 E = 200 mm / 132

IV. Impeller size
 A = 90 mm
 B = 98 mm
 C = 125 mm
 D = 130 mm (reinforced as standard)
 E = 135 mm
 F = 155 mm (reinforced as standard)
 G = 180 mm (reinforced as standard)

V. Pump options:

1. Mechanical seal:
 Blank* = ceramic/graphite/EPDM (FDA on CTH)
 1CGV = ceramic/graphite/FKM (FDA on CTH)
 1CGF = ceramic/graphite/FEP (FDA)
 1CGN = ceramic/graphite/NBR (FDA on CTH)
 1SSE = SiC/SiC/EPDM (FDA on CTH)
 1SSV = SiC/SiC/FKM (FDA on CTH)
 1SSF = SiC/SiC/FEP (FDA)
 1SSN = SiC/SiC/NBR (FDA on CTH)
 1SGE = SiC/graphite/EPDM (FDA on CTH)
 1SGV = SiC/graphite/FKM (FDA on CTH)
 1SGF = SiC/graphite/FEP (FDA)
 1SGN = SiC/graphite/NBR (FDA on CTH)

2. Mechanical seal type:
 P = Standard mechanical seal with OP-ring
 K = Different hardness of static and dynamic seal elements – J/D with OP-ring (SiC/SiC only)

3. Connection options
 Blank* = Thread BSPT on CTI
 Thread DIN 11851 on CTH
 3A = ANSI flange
 3B = BSPT thread (on CTH)
 3C = Clamp SMS3017 (CTH only)
 3F = Flange DIN2633 PN 10/16
 3T = Clamp DIN 32676 (CTH only)
 3S = Thread SMS 1145 (CTH only)
 3R = Thread RJT (CTH only)
 3P = ISO 1127 clamp (CTH only)
 3DA = DIN11866-1A thread (CTH only)
 3X = Thread DIN 11851 (on CTI)

4. Special executions
 4J = Pump with heating jacket
 4F = Flushed seal
 4Z = Buffer liquid system
 4H = Semi open heavy duty impeller (C-G sizes)
 4K = Drain plug (3/8" BSP thread as standard)
 4PX = Welds polishing (CTH only)
 4W = Reinforced impeller
 4Q = External quench
 4B = Reinforced front cover; special O-ring
 40 = Increased number of mounting holes

VI. Motor power / IEC motor size
 2900 rpm motors (2-pole):
 03 = 0.37 kW / 71
 05 = 0.55 kW / 71
 07 = 0.75 kW / 80
 15 = 1.5 kW / 90
 22 = 2.2 kW / 90
 40 = 4.0 kW / 112
 55 = 5.5 kW / 132
 60 = 6.0 kW / 112
 75 = 7.5 kW / 132
 110 = 11.0 kW / 160 (long coupled pump only)

1450 rpm motors (4-pole):
 024 = 0.25 kW / 71
 054 = 0.55 kW / 80
 114 = 1.1 kW / 90
 224 = 2.2 kW / 100

VII. Motor options
 M = Hygienic motor shroud (CT H)
 B = Long coupled pump
 P = Single phase motor
 X2d = Eex d IIB T4 motor
 X2e = Eex e IIB T3 motor
 X3e = Ex II 3G T135C motor - tropic
 T = Motor with PTC thermistor
 V...F... = Motor for special voltage, frequency
 * = standard execution

Special executions and options

Big choice of sealing solutions

The CTI & CTH pump range features top brand mechanical seals in a variety of materials to suit most type of liquids. They are available in combinations of ceramic, graphite and SiC.

Semi-open impeller

Tapflo CT pumps can be fitted with a semi-open impeller in comparison to its standard open impeller. This option ensures more stable operation, lower noise, lower vibrations and more robust construction. It is recommended to use the semi-open impeller when hard solids can be present in the pumped liquid.



Product range

Diaphragm pumps & accessories



Peristaltic Pumps



Centrifugal pumps, filter units & accessories



Sweden

Filaregatan 4 | S-442 34 Kungälv

Tel: +46 303 63390

Fax: +46 303 19916

E-mail addresses:

Commercial questions: sales@tapflo.com

Orders: order@tapflo.com

Tech support: support@tapflo.com

Tapflo products and services are available in 75 countries on 6 continents.

Tapflo is represented worldwide by own Tapflo Group Companies and carefully selected distributors assuring highest Tapflo service quality for our customers' convenience.

AUSTRALIA | AUSTRIA | AZERBAIJAN | BAHRAIN | BELARUS | BELGIUM | BOSNIA | BRAZIL | BULGARIA | CANADA | CHILE | CHINA | COLOMBIA | CROATIA | CZECH REPUBLIC | DENMARK | ECUADOR | EGYPT | ESTONIA | FINLAND | FRANCE | GREECE | GEORGIA | GERMANY | HONG-KONG | HUNGARY | ICELAND | INDIA | INDONESIA | IRAN | IRELAND | ISRAEL | ITALY | JAPAN | JORDAN | KAZAKHSTAN | KUWAIT | LATVIA | LIBYA | LITHUANIA | MACEDONIA | MALAYSIA | MEXICO | MONTENEGRO | MOROCCO | NETHERLANDS | NEW ZEALAND | NORWAY | POLAND | PORTUGAL | PHILIPPINES | QATAR | ROMANIA | RUSSIA | SAUDI ARABIA | SERBIA | SINGAPORE | SLOVAKIA | SLOVENIA | SOUTH AFRICA | SOUTH KOREA | SPAIN | SUDAN | SWEDEN | SWITZERLAND | SYRIA | TAIWAN | THAILAND | TURKEY | UKRAINE | UNITED ARAB EMIRATES | UNITED KINGDOM | USA | UZBEKISTAN | VIETNAM

Tapflo Group Companies

Australia

Tapflo Oceania (Pty)
Tel: +61 1800 303 633
sales@tapflo.com.au

Austria

Tapflo Austria
Tel: +43 732 27292910
sales@tapflo.at

Baltic States

Tapflo Latvia
Tel: +371 67472205
sales@tapflo.lv

Belarus

Tapflo Belarus
Tel: +375 17 3934609
sales@tapflo.by

Belgium

Tapflo Benelux B.V.
Tel: +31 (0)85 00 743 00
info@tapflo.nl

Bulgaria

Tapflo EOOD
Tel: +359 (0)2 974 18 54
office@tapflo.bg

Canada

Tapflo Canada
Tel: +1 514 813 5754
canada@tapflo.com

Croatia

Tapflo GmbH
Tel: +385 91 4884 666
sales@tapflo.hr

Czech Republic

Tapflo s.r.o.
Tel: +420 513 033 924
tapflo@tapflo.cz

China

Tapflo (Wuxi)
Tel: +86 510 8241 7072
sales@tapflo.cn

Denmark

Tapflo Danmark
Tel: +45 36 454600
info@tapflo.dk

France

Tapflo France
Tel: +33 1 34 78 82 40
info@tapflo.fr

India

Tapflo Fluid Handling India Pvt Ltd
Tel: +91 20 65000215
ac@tapflo.in

Ireland

Tapflo Ireland Ltd
Tel: +353 1 2011911
info@tapflo.ie

Italy

Tapflo Italia
Tel: +39 0362 306528
info@tapfloitalia.com

Japan

Tapflo Japan K.K.
Tel: +81-3-6240-3510
tapflojp@tapflo.co.jp

Kazakhstan

Tapflo Kazakhstan
Tel: +7 727 3278347
sales@tapflo.kz

Netherlands

Tapflo Benelux B.V.
Tel: +31 (0)85 00 743 00
info@tapflo.nl

Poland

Tapflo Sp. z o.o.
Tel: +48 58 530 42 12
info@tapflo.pl

Romania

S.C. Tapflo Rom. S.r.l.
Tel: +40 21 3451255
sales@tapflo.ro

Russia

Tapflo Company
Tel: +7 495 232 18 28
sales@tapflo.com.ru

Serbia

Tapflo d.o.o.
Tel: +381 21 44 58 08
sales@tapflo.rs

Slovakia

Tapflo s.r.o.
Tel: +421 911 137 883
tapflo@tapflo.sk

Slovenia

Tapflo GmbH
Tel: +386 68 613 474
sales@tapflo.hr

Spain

Tapflo Iberica
Tel: +34 91 8093182
avives@tapfloiberica.es

South Africa

Tapflo (Pty) Ltd
Tel: +27 31 701 5255
sales@tapflo.co.za

Turkey

Tapflo Makina Ltd
Tel: +90 216 467 33 11
sales@tapflo.com.tr

Ukraine

TOB Tapflo
Tel: +380 44 222 68 44
sales@tapflo.ua

Uzbekistan

Tapflo Uzbekistan
Tel: +998 712370940
sales@tapflo.uz

United Kingdom

Tapflo (UK) Ltd
Tel: +44 2380 252325
sales@tapflo pumps.co.uk